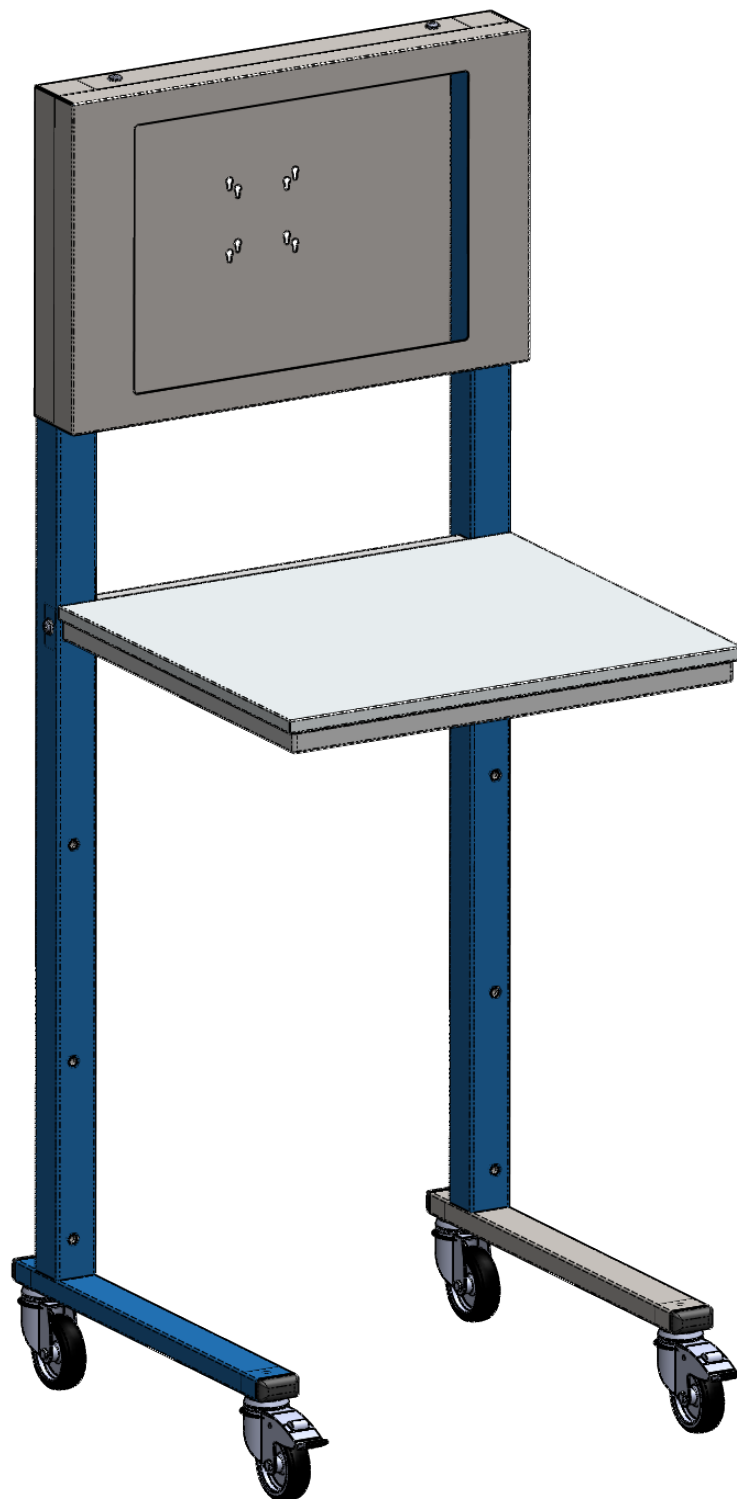
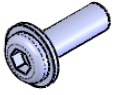


# NOTICE DE MONTAGE SUPPORT INFORMATIQUE



① VIS TRLHC M8x25



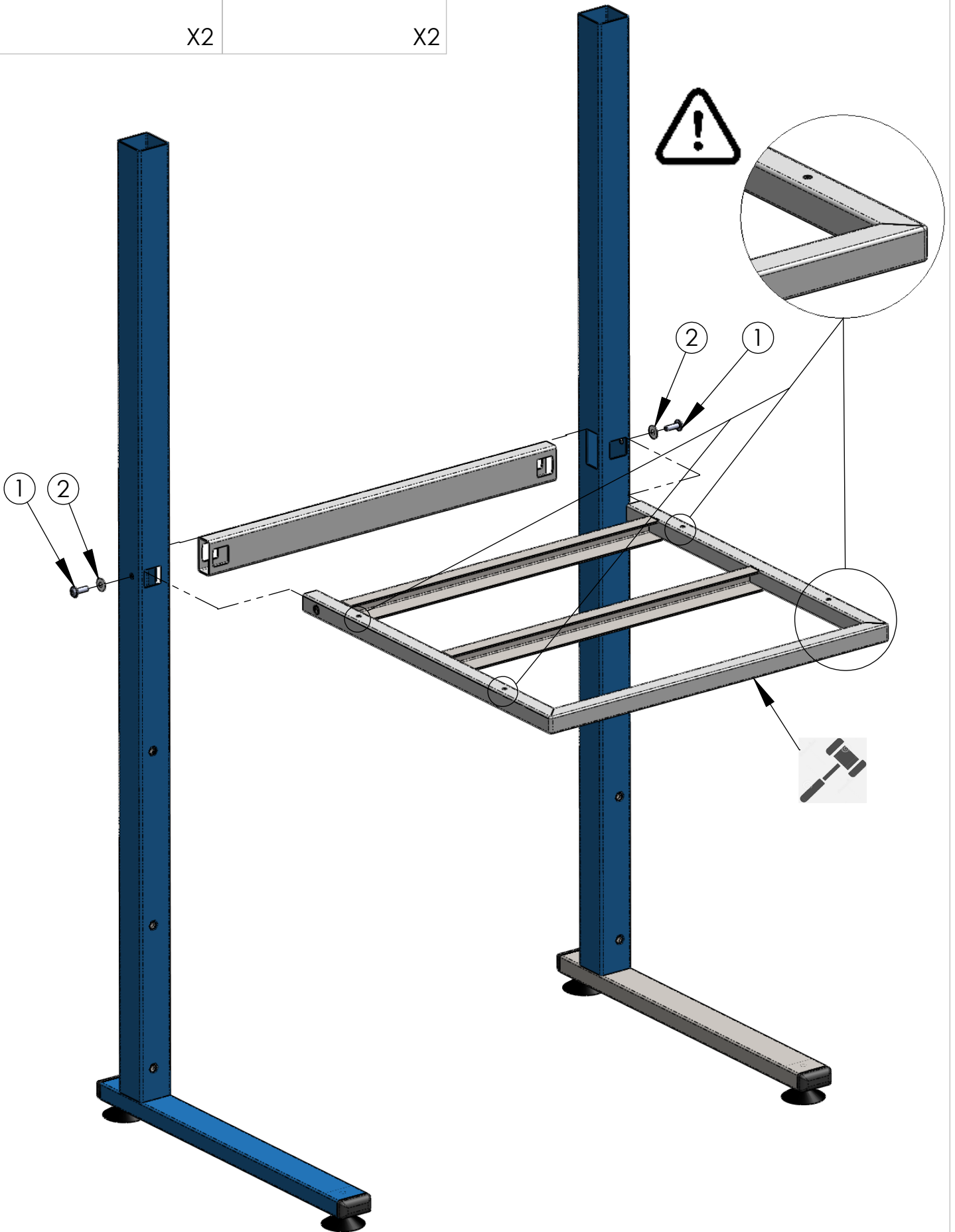
X2

② RONDELLE L M 8x22



X2

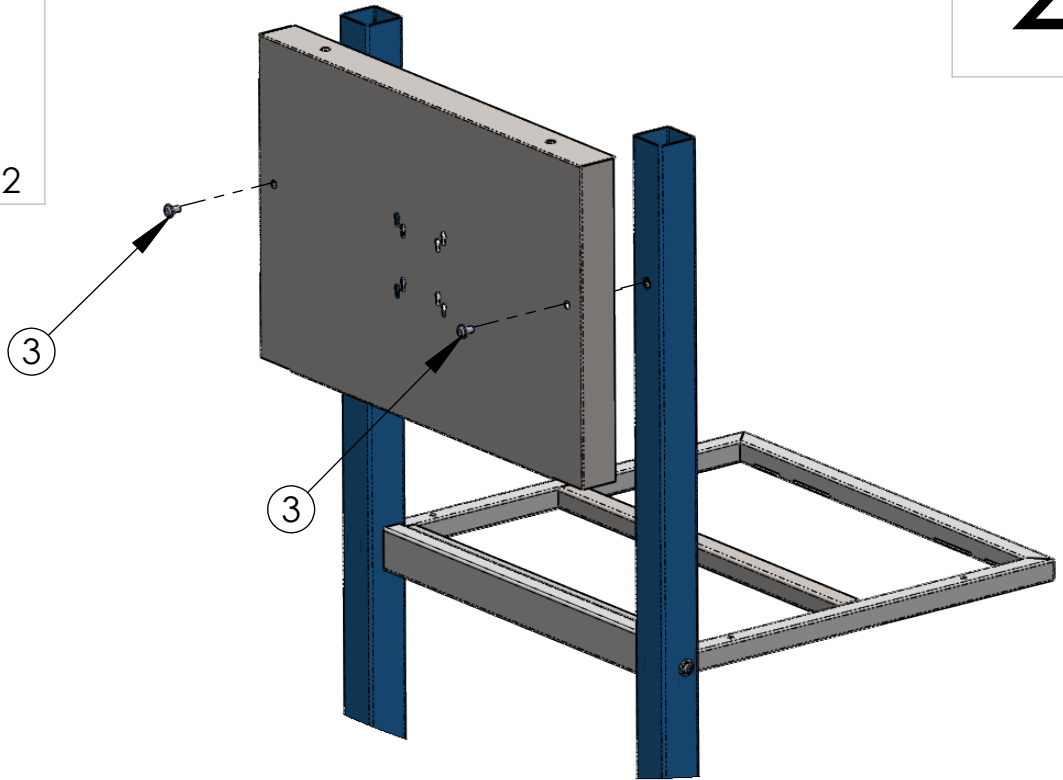
1



③ VIS TRL HC M8x16



X2

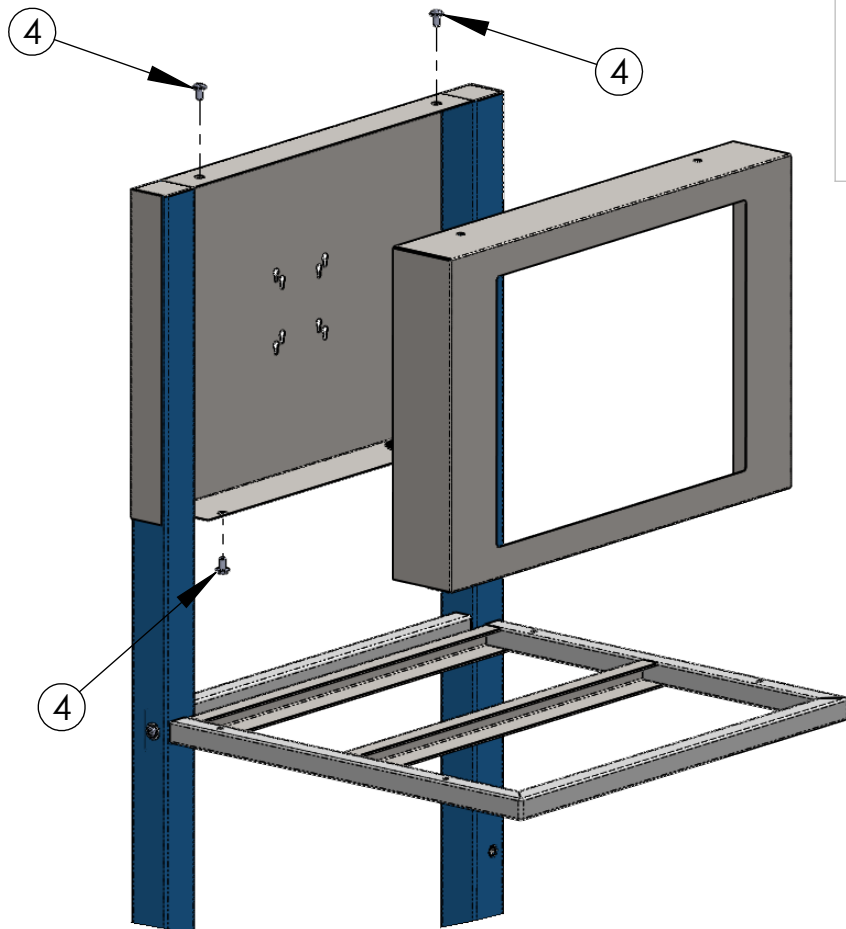


2

④ VIS TRL HC M8x16



X4



3

⑤ ROUE Ø100 A FREIN



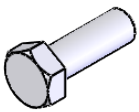
X2

⑥ ROUE Ø100



X2

⑦ VIS HM10X30



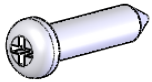
X4

⑧ RONDELLE 10-22



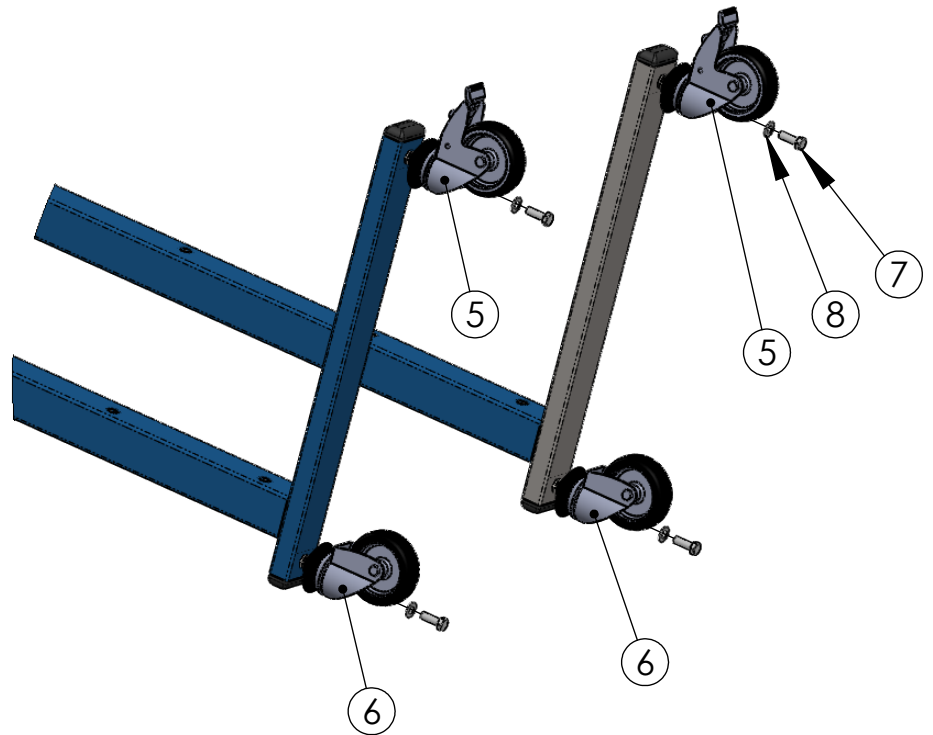
X4

⑨ VIS VBA 5X20



X4

4



5

